

Applications:

- Office and administrative buildings
- Ministries and government buildings
- Banks and financial institutions
- Airports
- Metro stations
- Coach terminals
- Tourist destinations
- Industrial buildings
- Schools and universities

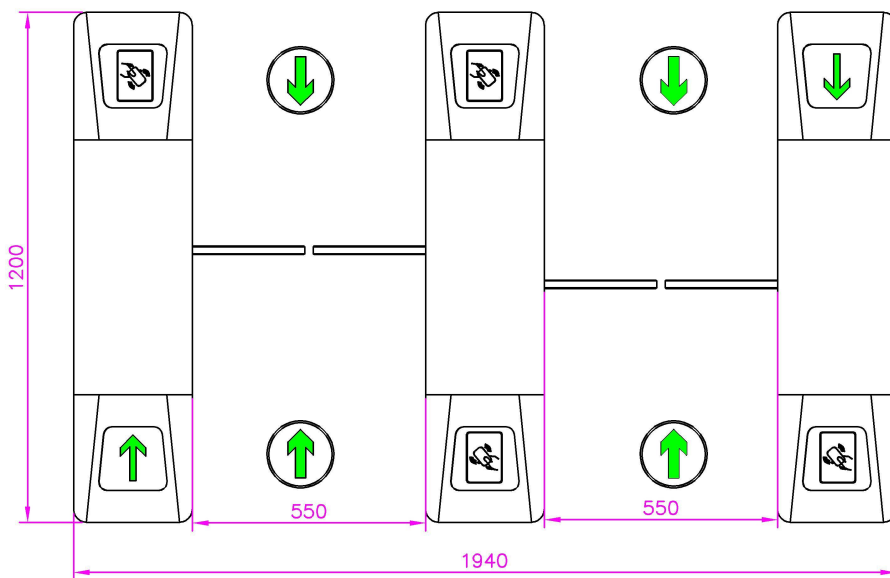
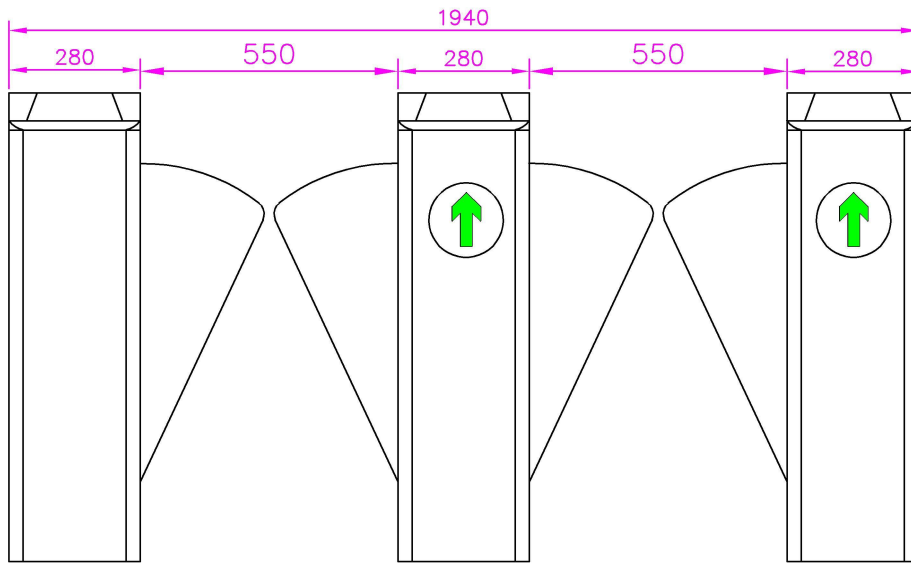


Features



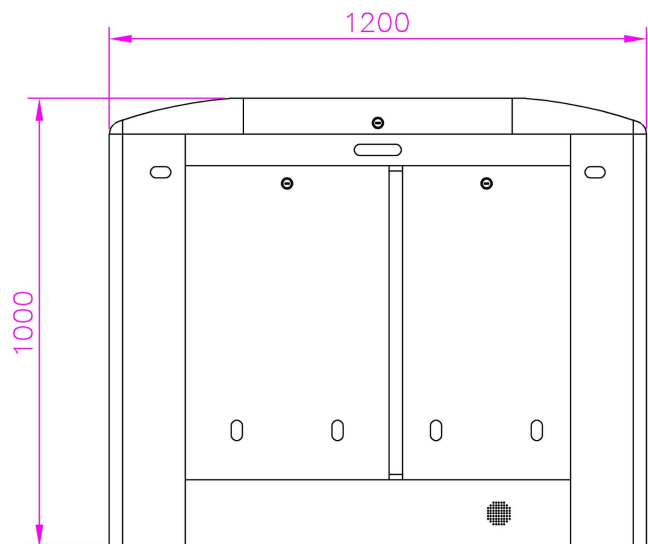
Anti-trapping
Intrusion alarm
Tailgating alarm
Anti-destruction
Leave aisle timeout
Wrong way direction detection
Normally open mode
Normally close mode
Fail-Safe via battery back-up opening
Self-designed mechanical structure for stable and long-time operation

- **Warranty: One year for controller board, two years for mechanical parts.**



Can be integrated with:

- IC/ID card reader
- QR Code scanner
- Fingerprint reader
- Face recognition system
- Biometric identification



● Standard

Standard model	ZOJE-Y508
Turnstile type	Flap barriers
Cabinet material	304 stainless steel
Door material	Acrylic
Dimension	1200*280*1000mm (L*W*H)
Passage width	550mm-900mm
Direction	Single / bidirectional
Power supply	AC110–220V, 50/60Hz
Working environment	Indoor & outdoor
LED indicator	Yes
Motor type	Brush motor

● Optional

Cabinet Material:
316 stainless steel

Door Material:
Tempered glass

Motro:
Brushless motor
Servo motor

Passage Width:
900mm



All ZOJE turnstile gates are built with self-designed mechanical structure for stable and long-time operation.



www.zoje-tech.com