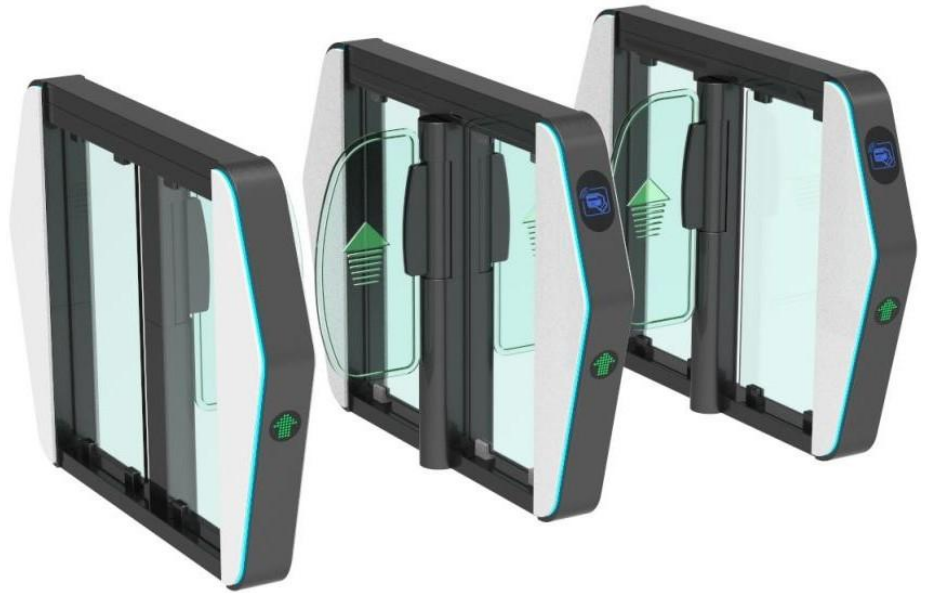


Applications:

- Office and administrative buildings
- Ministries and government buildings
- Banks and financial institutions
- Airports
- Metro stations
- Coach terminals
- Tourist destinations
- Industrial buildings
- Schools and universities

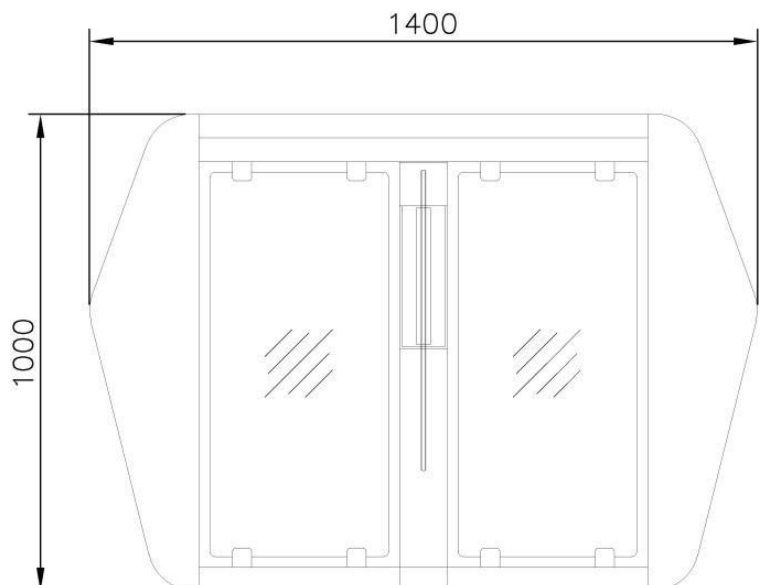
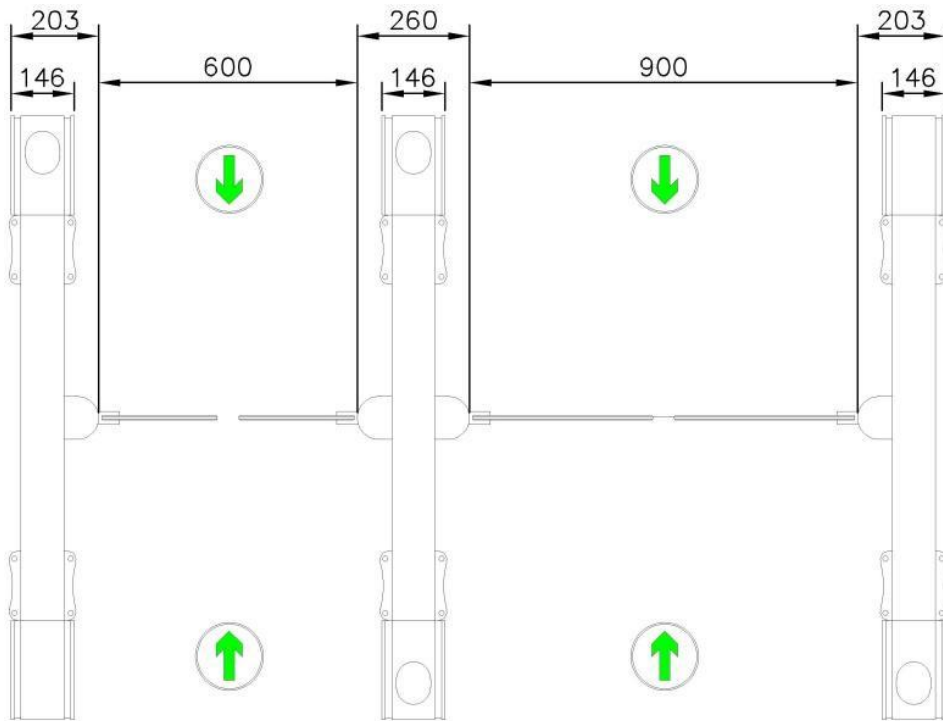
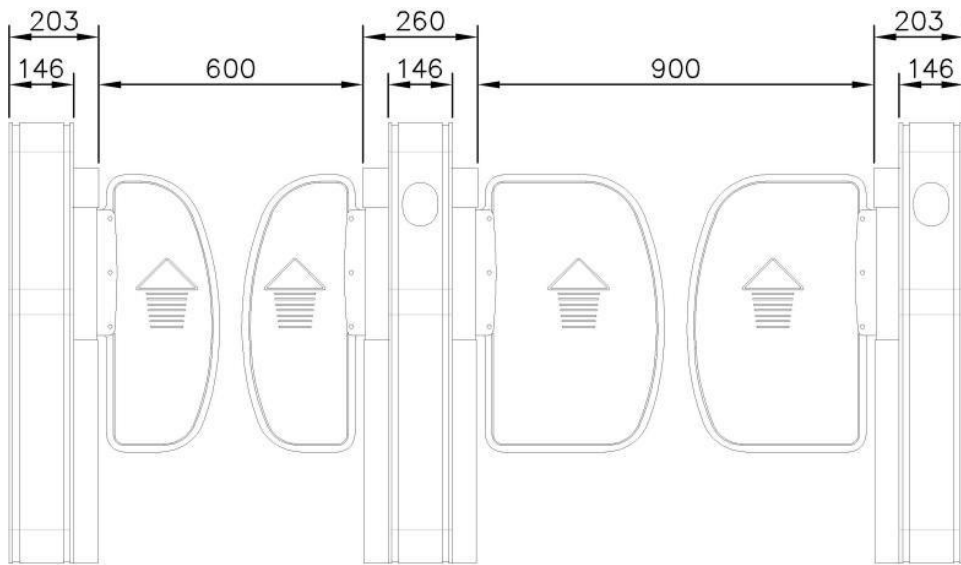


Features



Anti-trapping
Intrusion alarm
Tailgating alarm
Anti-destruction
Leave aisle timeout
Wrong way direction detection
Normally open mode
Normally close mode
Fail-Safe via battery back-up opening
Self-designed mechanical structure for stable and long-time operation

- **Warranty: One year for controller board, two years for mechanical parts.**



Can be integrated with:

IC/ID card reader

QR Code scanner

Fingerprint reader

Face recognition system

Biometric identification

● Standard

Standard model	ZOJE-BST400
Turnstile type	Speed gates
Cabinet material	304 stainless steel
Door material	Acrylic
Dimension	1400*146*1000mm (L*W*H)
Passage width	600mm
Direction	Single / bidirectional
Power supply	AC110–220V, 50/60Hz
Working environment	Indoor & outdoor
LED indicator	Yes
Motor type	Brushless motor

Tip:

All ZOJE turnstile gates are built with self-designed mechanical structure for stable and long-time operation.

● Optional

Cabinet Material:
316 stainless steel

Door Material:
Tempered glass

Motro:
Servo motor

Passage Width:
900mm
(for wheelchair)



www.zoje-tech.com